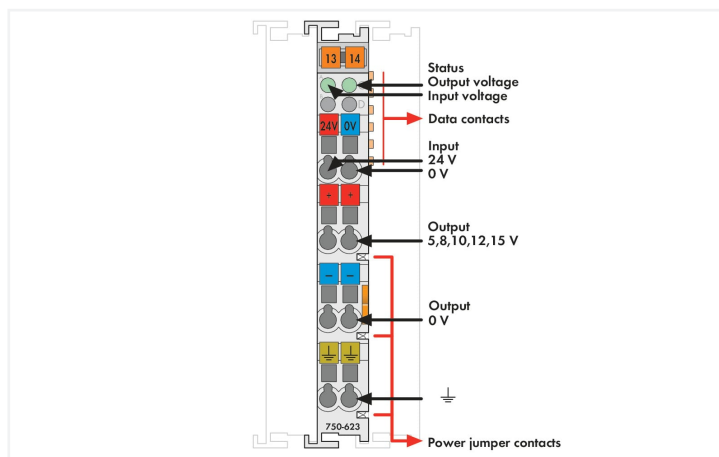
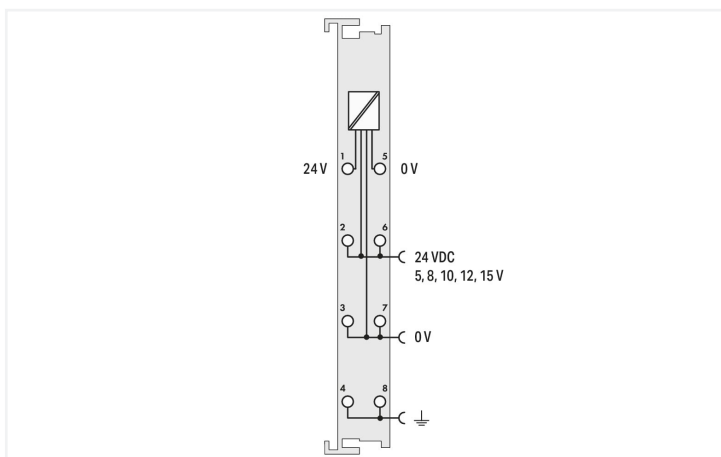
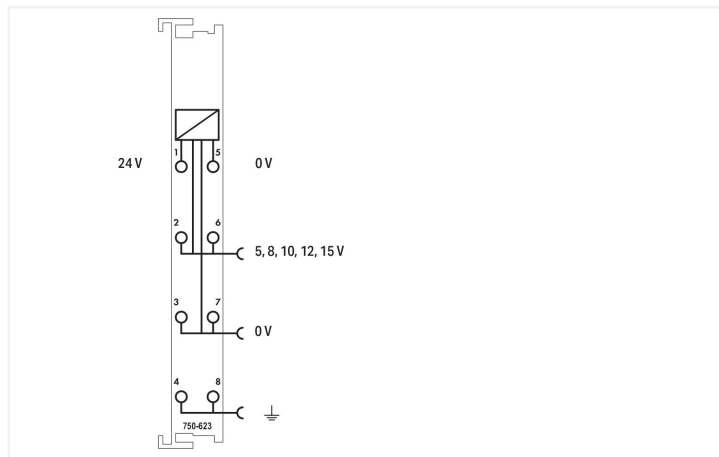




Color: ■ light gray



The 750-623 Supply Module generates 5, 8, 10, 12 and 15 VDC output voltages from the 24 VDC input voltage.

The output voltage is selected by a DIP switch located on the side of the module.

The output voltage is derived from the CAGE CLAMP® connections. The downstream modules are also supplied with this voltage via the power jumper contacts.

Status LEDs indicate the module's operating state.

The input voltage and the output voltage are not electrically isolated.

#### Technical data

|  |   |
|--|---|
| Signal type                              | Voltage   |
| Signal type (voltage)                    | 24 VDC  |
| Output current                           | 0.5 A (1 A at 5 V)  |
| Output voltage                           | 5, 8, 10, 12, 15 VDC  |
| Supply voltage (system)                  | 5 VDC; via data contacts  |
| Total current (system supply)            | 500 mA  |
| Supply voltage (field)                   | 24 VDC (-15 ... +20 %); via power jumper contacts (power supply via CAGE CLAMP® connection; transmission via spring contact); Output voltage adjustable in steps via DIP switch: 5 V; 8 V; 10 V; 12 V; 15 V |
| Indicators                               | LED (A, C) green: status indicator for input voltage, output voltage  |
| Number of outgoing power jumper contacts | 3   |

### Connection data

|                                      |  |
|--------------------------------------|--|
| Connection technology: field supply  | 6 x CAGE CLAMP®                              |
| Connection technology: system supply | 2 x CAGE CLAMP®                              |
| Connection type 1                    | Field supply                                 |
| Solid conductor                      | 0.08 ... 2.5 mm <sup>2</sup> / 28 ... 14 AWG |
| Fine-stranded conductor              | 0.08 ... 2.5 mm <sup>2</sup> / 28 ... 14 AWG |
| Strip length                         | 8 ... 9 mm / 0.31 ... 0.35 inches            |

### Physical data

|                                   |                        |
|-----------------------------------|------------------------|
| Width                             | 12 mm / 0.472 inches   |
| Height                            | 100 mm / 3.937 inches  |
| Depth                             | 69.8 mm / 2.748 inches |
| Depth from upper-edge of DIN-rail | 62.6 mm / 2.465 inches |

### Mechanical data

|               |             |
|---------------|-------------|
| Mounting type | DIN-35 rail |
|---------------|-------------|

### Material data

|                    |                              |
|--------------------|------------------------------|
| Color              | light gray                   |
| Housing material   | Polycarbonate; polyamide 6.6 |
| Fire load          | 1.005 MJ                     |
| Weight             | 53.8 g                       |
| Conformity marking | CE                           |

### Environmental requirements

|  |                                       |
|--|---------------------------------------|
| Ambient temperature (operation)  | 0 ... +55 °C                          |
| Ambient temperature (storage)  | -40 ... +85 °C                        |
| Protection type  | IP20                                  |
| Pollution degree   | 2 per IEC 61131-2                     |
| Operating altitude   | 0 ... 2000 m / 0 ... 6562 ft          |
| Mounting position  | horizontal (standing/lying); vertical |
| Relative humidity (without condensation)   | 95 %                                  |
| Vibration resistance   | 4g per IEC 60068-2-6                  |
| Shock resistance   | 15g per IEC 60068-2-27                |
| EMC immunity to interference   | per EN 61000-6-2, marine applications |
| EMC emission of interference   | per EN 61000-6-3, marine applications |
| Exposure to pollutants   | per IEC 60068-2-42 and IEC 60068-2-43 |
| Permissible H <sub>2</sub> S contaminant concentration at a relative humidity 75 % | 10 ppm                                |
| Permissible SO <sub>2</sub> contaminant concentration at a relative humidity 75 %  | 25 ppm                                |

### Commercial data

|                       |                 |
|-----------------------|-----------------|
| Product Group         | 15 (I/O System) |
| eCl@ss 10.0           | 27-24-26-10     |
| eCl@ss 9.0            | 27-24-26-10     |
| ETIM 8.0              | EC001600        |
| ETIM 7.0              | EC001600        |
| PU (SPU)              | 1 pcs           |
| Packaging type        | Box             |
| Country of origin     | DE              |
| GTIN                  | 4017332395793   |
| Customs tariff number | 85389091890     |

| Environmental Product Compliance |                         |
|----------------------------------|-------------------------|
| RoHS Compliance Status           | Compliant, No Exemption |

### Approvals / Certificates

| General approvals  |                        |                     |
|--|------------------------|---------------------|
|  |                        |                     |
| Approval   | Standard               | Certificate Name    |
| KC<br>National Radio Research Agency                         | Article 58-2, Clause 3 | MSIP-REM-W43-SPP750 |
| UL<br>UL International Netherlands B.V. (ORDINARY LOCATIONS) | UL 508                 | E175199 Sec.1       |

| Declarations of conformity and manufacturer's declarations |          |                  |
|--|----------|------------------|
| Approval   | Standard | Certificate Name |
| EU-Declaration of Conformity<br>WAGO GmbH & Co. KG         | -        | -                |
| UK-Declaration of Conformity<br>WAGO GmbH & Co. KG         | -        | -                |

### Approvals for marine applications

| Approvals for marine applications                     |                        |                   |
|---|------------------------|-------------------|
|   |                        |                   |
| Approval  | Standard               | Certificate Name  |
| ABS<br>American Bureau of Shipping                    | -                      | 22-2219060        |
| BSH<br>Bundesamt fuer Seeschifffahrt und Hydrographie | -                      | 1104              |
| BV<br>Bureau Veritas S.A.                             | -                      | 30389/C0 BV       |
| DNV<br>DNV GL SE                                      | DNV-CG-0339, Aug. 2021 | TAA0000194        |
| KR<br>Korean Register of Shipping                     | -                      | KR HMB05880-AC001 |
| LR<br>Lloyds Register EMEA                            | -                      | LR22180952TA      |
| PRS<br>Polski Rejestr Statków                         | -                      | TE/1101/880590/23 |
| RINA<br>RINA Germany GmbH                             | -                      | ELE343521XG001    |

### Approvals for hazardous areas

| Approvals for hazardous areas                              |             |  |
|--|-------------|--|
|  |             |  |
| Approval   | Standard    | Certificate Name                           |
| ATEX<br>TUEV Nord Cert GmbH                                | EN 60079-0  | TUEV14ATEX148929X (II 3 G Ex ec IIC T4 Gc) |
| CCCEX<br>CQST/CNEx   | CNCA-C23-01 | 2020312310000213 (Ex ec IIC T4 Gc)         |
| IECEX<br>TUEV Nord Cert GmbH                               | IEC 60079-0 | IECEX TUN 14.0035 X (Ex ec IIC T4 Gc)      |
| INMETRO<br>TUV Rheinland do Brasil Ltda.                   | IEC 60079-0 | TUV 12.1297 X                              |
| UKEx<br>WAGO GmbH & Co. KG                                 | EN 60079-0  | UKCA_WA GO22UKEX003X_ec                    |
| UL<br>Underwriters Laboratories Inc. (HAZARDOUS LOCATIONS) | UL 121201   | E198726 Sec.1                              |

**Downloads**

**Environmental Product Compliance**

| Compliance Search                        |                   |
|--|-------------------|
| Environmental Product Compliance 750-623 | <a href="#">↓</a> |

**Documentation**

| Manual                               |  |
|--------------------------------------|--|
| Product Manual 24VDC / 5-15V V 1.2.0 | pdf<br>1772.64 KB<br><a href="#">↓</a> |
| System Manual Series 750/753         | <a href="#">↓</a>                      |

| System Description                                      |                                       |
|---|---------------------------------------|
| 750/753 Series I/O-System – General Product Information | pdf<br>953.35 KB<br><a href="#">↓</a> |
| Overview on WAGO-I/O-SYSTEM 750 approvals               | pdf<br>770.48 KB<br><a href="#">↓</a> |

| Bid Text |  |
|----------|--|
| 750-623  | 19.02.2019<br>xml<br>3.91 KB<br><a href="#">↓</a>  |
| 750-623  | 06.10.2017<br>doc<br>24.50 KB<br><a href="#">↓</a> |

| Instruction Leaflet             |   |
|---------------------------------|---|
| CCC Ex (Additional information) | 26.04.2023<br>pdf<br>159.76 KB<br><a href="#">↓</a> |

**CAD/CAE-Data**

| CAD data             |                   |
|----------------------|-------------------|
| 2D/3D Models 750-623 | <a href="#">↓</a> |

| CAE data                  |                   |
|---------------------------|-------------------|
| EPLAN Data Portal 750-623 | <a href="#">↓</a> |
| WSCAD Universe 750-623    | <a href="#">↓</a> |
| ZUKEN Portal 750-623      | <a href="#">↓</a> |

**Device Files**

| Device Driver                                      |   |
|--|---|
| WAGO USB Service Kabel Treiber / Serie 750 und 857 | 6.5.3.0<br>10.09.2014<br>zip<br>4721.96 KB<br><a href="#">↓</a> |

## 1 Compatible Products

### 1.1 Optional Accessories

#### 1.1.1 DIN-rail

##### 1.1.1.1 Mounting accessories



**Item No.: 210-196**

Aluminum carrier rail; 35 x 8.2 mm; 1.6 mm thick; 2 m long; unslotted; similar to EN 60715; silver-colored



**Item No.: 210-198**

Copper carrier rail; 35 x 15 mm; 2.3 mm thick; 2 m long; unslotted; according to EN 60715; copper-colored



**Item No.: 210-508**

Steel carrier rail; 35 x 15 mm; 1.5 mm thick; 2 m long; slotted; galvanized; similar to EN 60715; silver-colored



**Item No.: 210-197**

Steel carrier rail; 35 x 15 mm; 1.5 mm thick; 2 m long; slotted; similar to EN 60715; silver-colored



**Item No.: 210-506**

Steel carrier rail; 35 x 15 mm; 1.5 mm thick; 2 m long; unslotted; galvanized; similar to EN 60715; silver-colored



**Item No.: 210-114**

Steel carrier rail; 35 x 15 mm; 1.5 mm thick; 2 m long; unslotted; similar to EN 60715; silver-colored



**Item No.: 210-118**

Steel carrier rail; 35 x 15 mm; 2.3 mm thick; 2 m long; unslotted; according to EN 60715; silver-colored



**Item No.: 210-115**

Steel carrier rail; 35 x 7.5 mm; 1 mm thick; 2 m long; slotted; according to EN 60715; "Hole width 18 mm; silver-colored



**Item No.: 210-112**

Steel carrier rail; 35 x 7.5 mm; 1 mm thick; 2 m long; slotted; according to EN 60715; "Hole width 25 mm; silver-colored



**Item No.: 210-504**

Steel carrier rail; 35 x 7.5 mm; 1 mm thick; 2 m long; slotted; galvanized; according to EN 60715; silver-colored



**Item No.: 210-113**

Steel carrier rail; 35 x 7.5 mm; 1 mm thick; 2 m long; unslotted; according to EN 60715; silver-colored



**Item No.: 210-505**

Steel carrier rail; 35 x 7.5 mm; 1 mm thick; 2 m long; unslotted; galvanized; according to EN 60715; silver-colored

### 1.1.2 Marking

#### 1.1.2.1 Group marker carrier



**Item No.: 750-106**

Group marker carrier

#### 1.1.2.2 Marker



**Item No.: 750-100**

Marker card; as a DIN A4 sheet; plain



**Item No.: 2009-145/000-006**

Mini-WSB Inline; for Smart Printer; 1700 pieces on roll; stretchable 5 - 5.2 mm; plain; snap-on type; blue



**Item No.: 2009-145/000-007**

Mini-WSB Inline; for Smart Printer; 1700 pieces on roll; stretchable 5 - 5.2 mm; plain; snap-on type; gray



**Item No.: 2009-145/000-023**

Mini-WSB Inline; for Smart Printer; 1700 pieces on roll; stretchable 5 - 5.2 mm; plain; snap-on type; green



**Item No.: 2009-145/000-012**

Mini-WSB Inline; for Smart Printer; 1700 pieces on roll; stretchable 5 - 5.2 mm; plain; snap-on type; orange



**Item No.: 2009-145/000-005**

Mini-WSB Inline; for Smart Printer; 1700 pieces on roll; stretchable 5 - 5.2 mm; plain; snap-on type; red



**Item No.: 2009-145/000-024**

Mini-WSB Inline; for Smart Printer; 1700 pieces on roll; stretchable 5 - 5.2 mm; plain; snap-on type; violet



**Item No.: 2009-145**

Mini-WSB Inline; for Smart Printer; 1700 pieces on roll; stretchable 5 - 5.2 mm; plain; snap-on type; white



**Item No.: 2009-145/000-002**

Mini-WSB Inline; for Smart Printer; 1700 pieces on roll; stretchable 5 - 5.2 mm; plain; snap-on type; yellow



**Item No.: 248-501/000-006**

Mini-WSB marking card; as card; not stretchable; plain; snap-on type; blue



**Item No.: 248-501/000-007**

Mini-WSB marking card; as card; not stretchable; plain; snap-on type; gray



**Item No.: 248-501/000-023**

Mini-WSB marking card; as card; not stretchable; plain; snap-on type; green



**Item No.: 248-501/000-017**

Mini-WSB marking card; as card; not stretchable; plain; snap-on type; light green



**Item No.: 248-501/000-012**

Mini-WSB marking card; as card; not stretchable; plain; snap-on type; orange



**Item No.: 248-501/000-005**

Mini-WSB marking card; as card; not stretchable; plain; snap-on type; red



**Item No.: 248-501/000-024**

Mini-WSB marking card; as card; not stretchable; plain; snap-on type; violet



**Item No.: 248-501**

Mini-WSB marking card; as card; not stretchable; plain; snap-on type; white



**Item No.: 248-501/000-002**

Mini-WSB marking card; as card; not stretchable; plain; snap-on type; yellow

### 1.1.2.3 Marker carrier



**Item No.: 750-103**  
Group marker carrier

### 1.1.3 Shield termination

#### 1.1.3.1 Shield clamping saddles



**Item No.: 790-108**  
Shield clamping saddle; 11 mm wide; diameter of compatible conductor; 3 ... 8 mm



**Item No.: 790-208**  
Shield clamping saddle; 12.4 mm wide; 3 ... 8 mm



**Item No.: 790-116**  
Shield clamping saddle; 19 mm wide; diameter of compatible conductor; 7 ... 16 mm



**Item No.: 790-216**  
Shield clamping saddle; 21.8 mm wide; 6 ... 16 mm



**Item No.: 790-124**  
Shield clamping saddle; 27 mm wide; diameter of compatible conductor; 6 ... 24 mm



**Item No.: 790-220**  
Shield clamping saddle; 30 mm wide; 6 ... 20 mm



**Item No.: 790-140**  
Shield clamping saddle; diameter of compatible conductor

### 1.1.4 System enclosure

#### 1.1.4.1 System enclosure



**Item No.: 850-825**  
IP65 enclosure; Aluminium (RAL 7032); WxHxD (160x100x160 mm); 9 x M12, 4 x M20



**Item No.: 850-826**  
IP65 enclosure; Aluminium (RAL 7032); WxHxD (240x100x160 mm); 4 x M20, 4 x M16, 14 x M12 cable grip



**Item No.: 850-827**  
IP65 enclosure; Aluminium (RAL 7032); WxHxD (320x100x160 mm); 4 x M20, 8 x M16, 17 x M12 cable grip



**Item No.: 850-828**  
IP65 enclosure; Aluminium (RAL 7032); WxHxD (480x100x160 mm); 4 x M20, 10 x M16, 35 x M12 cable grip



**Item No.: 850-826/002-000**  
IP65 enclosure; Aluminium (RAL 7035); WxHxD (240x100x160 mm); 4 x M20, 4 x M16, 14 x M12 cable grip



**Item No.: 850-827/002-000**  
IP65 enclosure; Aluminium (RAL 7035); WxHxD (320x100x160 mm); 4 x M20, 8 x M16, 17 x M12 cable grip



**Item No.: 850-828/002-000**  
IP65 enclosure; Aluminium (RAL 7035); WxHxD (480x100x160 mm); 4 x M20, 10 x M16, 35 x M12 cable grip



**Item No.: 850-834**  
IP65 enclosure; Polyester (RAL 7032); WxHxD (164x100x164 mm); 9 x M12, 4 x M20



**Item No.: 850-835**  
IP65 enclosure; Polyester (RAL 7032); WxHxD (244x100x164 mm); 4 x M20, 4 x M16, 14 x M12 cable grip



**Item No.: 850-836**  
IP65 enclosure; Polyester (RAL 7032); WxHxD (324x100x164 mm); 4 x M20, 8 x M16, 17 x M12 cable grip



**Item No.: 850-814/002-000**  
IP65 enclosure; Sheet steel (RAL 7035); WxHxD (200x120x200 mm); without flange plate



**Item No.: 850-815/002-000**  
IP65 enclosure; Sheet steel (RAL 7035); WxHxD (300x120x200 mm); without flange plate



**Item No.: 850-816/002-000**  
IP65 enclosure; Sheet steel (RAL 7035); WxHxD (400x120x200 mm); without flange plate



**Item No.: 850-817/002-000**  
IP65 enclosure; Sheet steel (RAL 7035); WxHxD (600x120x200 mm); without flange plate